

SYSTEM LINE SL4200

| | |
|---------------|---------------------------|
| TYPE | Rack conveyor dishwashers |
| LINE | SYSTEM LINE |
| BASKET | 500x500 |
| SIZE | 3119x770x1825h mm |



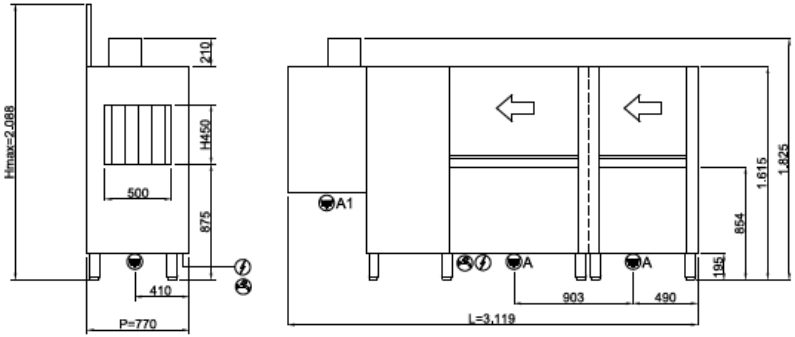
The SYSTEM Line has been designed to meet the needs of every customer, thanks to the various accessories installable, combining large workloads and optimising spaces available, simplifying operator work and reducing consumption. The models of this line are equipped with a double filtration system that retains all residues, whereas the vertical wash pumps and stainless steel wash arms ensure great performance. SYSTEM is also equipped with counterbalanced doors with double wall and anti-fall system and rounded moulded tanks.




CERTIFIED



ON REQUEST





-  400V3N+T 30,10kW
(CABLE NOT PROVIDED)
-  G 3/4" M
55°C
L=1500
-  A:Ø1"1/2 M
A1: Ø31 M
L=1500

STANDARD EQUIPMENT

| | |
|--|---|
| Basket for glasses dim.500x500x100mm | 1 |
| Basket for 18 dishes dim.500x500x100mm | 2 |

DISHWASHERS FEATURES

| | |
|-----------------------------|----------------------------------|
| Dimensions - (mm) L - P - H | 3119x770x1825h mm |
| Basket dimensions | 500x500 mm |
| n° baskets/hour | 270/200/140 |
| Passage height max (cm) | 450 mm |
| Total power input | 31,5 kW (50°C) - 40,9 kW (15°C)* |
| Standard input voltage | 400V3N - 50 Hz |

PRE-WASHING

| | |
|--------------------|---------------|
| Tank capacity (lt) | 70 l |
| Washing pump | 1,5 kW - 2 Hp |

WASHING

| | |
|---------------------------|---------------|
| Tank capacity (lt) | 70 l |
| Washing pump | 1,5 kW - 2 Hp |
| Tank heating element (kW) | 10,5 kW |

FINAL RINSING

| | |
|------------------------------|------------|
| Break-Tank and rinse pump | 0,2 kW |
| Boiler heating element (kW) | 10,5 kW |
| Water consumption | ~ 220 l/h |
| Inlet water temperature (°C) | +50°C |
| Minimum water pressure (BAR) | 2 bar |
| Water hardness (°f) | 7°f - 10°f |

DRYING

| | |
|----------------------------|-------------|
| Fan | 0,55 kW |
| portata_d_aria_asciugatura | ~ 1400 m3/h |
| Heating element | 6 kW |

STANDARD EQUIPMENT

| | |
|--|---|
| Basket for glasses dim.500x500x100mm | 1 |
| Basket for 18 dishes dim.500x500x100mm | 2 |
| 4 division cutlery insert | 1 |
| Basket for glasses dim.500x500x100mm | 1 |
| Basket for 18 dishes dim.500x500x100mm | 2 |

OPTIONAL

| | |
|---|---|
| Corner pre-washing system | ● |
| Option extra power 9,5 Kw | ● |
| Steam outlet chimney | ● |
| Internal detergent & rinse-aid dosing unit | ● |
| Triple tank filter and stainless steel drawer | ● |

● Optional Installabile, ◻ Optional not installabile