

HANDY NORTH AMERICA H150E-A

TYPE	Pass-through dishwasher
LINE	HANDY NORTH AMERICA
BASKET	500x600
SIZE	720x770x1435/1900h - 28.3465x30.315x56.4961/56.4961in



The H150E-A hood-type dishwasher can wash up to 22 pizza dishes in a very tight space: only 720 mm wide and with the same depth of traditional inlet/outlet stainless steel tables, with a maximum productivity of 60 racks/hour (1320 dishes/hour). Thanks to the powerful wash pump and washing arms, it is suitable for dishes, objects measuring 500x600x410(h)mm, bread racks, GN 1/1 gastronorm trays and 600x400(h)mm dough trays. The hood-type models are also fitted with an easily removable rack support for easy cleaning and a rounded moulded tank with integral filters for perfect draining and absolute hygiene. The "PUSH TO START" cycle start system ensures less waste, preventing the start of empty washes.

This model is **ETL** certified as it complies with the requirements of **UL Std.921**.

The HANDY line stands out for its wide range of models suitable for any situation. The simple electronic board control system makes it possible to set and control the rinsing and draining times and temperatures and the relevant Thermostops, crucial for ensuring excellent final results. With the control panel you can choose one of its 4 washing cycles and one automatic drain cycle (with installed drain pump), easily view on the display the tank and boiler temperature, the messages of the Self-diagnosis system and the Scheduled Maintenance warning. The smart Start button changes colour to always keep you up-to-date on the dishwasher status with the greatest ease.

The electronic control allows you to manage various parameters to give you an absolute customisation level and the continuous self-diagnosis allows you to minimise machine downtime, suggesting some operations that need to be verified. The self-cleaning cycle at the end of the day cleans the wash tank and empties the hot water from the boiler, preventing limestone from building up inside. The standard double peristaltic electric rinse-aid and detergent dispenser ensures the best result from each wash cycle with great savings thanks to the precise dosage managed by the electronic card; whereas, the moulded washing and rinsing arms ensure great reliability and durability. The Thermo-stop function checks that washing and rinsing begin only when the desired temperature is reached. The bodywork is made entirely of AISI 304 steel and has been designed with all of the components in the front for easy technical assistance. Sturdy and reliable dishwashers to best deal with every moment of your day.

CERTIFIED



ON REQUEST

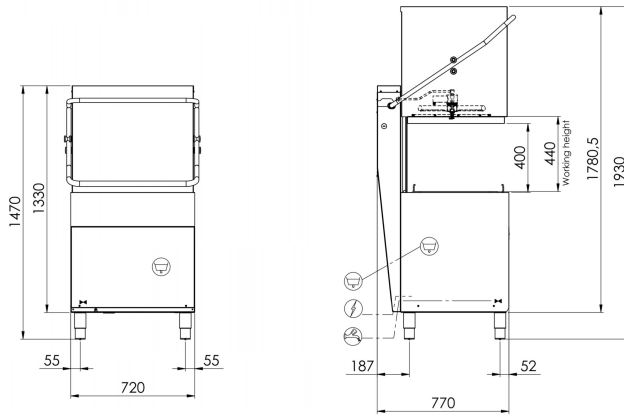


CERTIFIED



ON REQUEST





DISHWASHERS FEATURES

Dimensions - (mm) L - P - H	720x770x1435/1900h - 28.3465x30.315x56.4961/56.4961in
n° baskets/hour - (+55°C)	Max 60
Ø height plate max	400mm
LT bread basket	60 (H=400mm)
Trays	GN1/1 - 60x40
Tank heating element - Tank capacity	4,5kW - 37lt
Boiler heating element - Boiler capacity	5,4kW - 7,3lt
Washing pump	1,64kW / 2,2Hp
Total power input / Current	7,04 kW / 16A
Standard input voltage	208V - 60Hz, 230V3 - 60Hz
Recommended inlet water temperature	+55°C
Water hardness	7÷10 °f
Water consumption per cycle (inlet suggested pressure 2 BAR)	2,0lt
Adjustable detergent and rinse-aid dispenser	ELECTRIC
Packing	800x980x1520h 1,19/162

STANDARD EQUIPMENT

Basket for trays 10/12 compartments 500x600x100mm	1
Basket for glasses dim.500x600x100mm	1
Basket for 22 dishes dim.500x600x100mm	1
8 division cutlery insert	1
Integral tank filter	2

OPTIONAL

Drain pump kit 32W with Ecoclean	●
Basket for trays with 4 compartments dim.500x500x200mm	●
Inclined basket for wine glasses dim.500x500x170mm	●
Kit 4 Stainless steel feet 50-70mm	-

● Optional Installabile, - Optional not installabile