

ECOLOGY LINE E981E

TYPE	Warewasher
LINE	ECOLOGY LINE
BASKET	600x670
SIZE	775x810x1930/2215h



The dishwashers of the ECOLOGY line ensure maximum performance thanks to the standard Acquatech System which, through an atmospheric boiler and rinse pump, maintains constant temperature and pressure and optimum water consumption. ECOLOGY ensures a sanitising rinse cycle and proves to be the perfect choice for canteens, nursing homes, pastry shops, bakers and butchers where compliance with HACCP rules is essential. For those who seek glass perfection, it is possible to connect a Reverse Osmosis System which purifies water and reduces detergent and rinse-aid consumption, ensuring excellent results and perfect glasses without the need for hand drying.

The E981E warewasher is the right choice for effectively washing within its basket, objects measuring up to 575x645x825(h)mm. It is suitable for washing baking trays, pots of various kinds, mixing bowls, utensils and even 26 dishes at each cycle with a maximum productivity of 30 baskets/hour (780 dishes/hour). The work height and the counterbalanced door facilitate loading while the double walls improve thermal-acoustic insulation. The rounded moulded tank with integral filters ensures maximum hygiene and perfect draining.

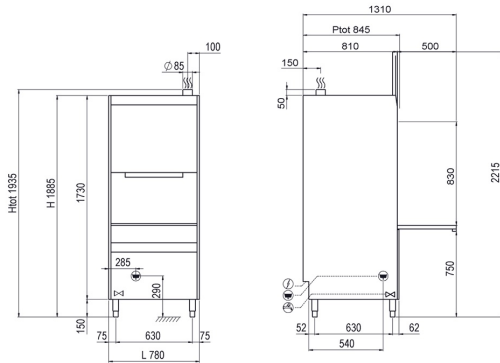
The electronic control allows you to manage various parameters to give you an absolute customisation level and the continuous self-diagnosis allows you to minimise machine downtime, suggesting some operations to be verified. The self-cleaning cycle at the end of the day cleans the wash tank and empties the boiler from the hot water, preventing limestone forming inside. The standard double peristaltic electric rinse-aid and detergent dispenser ensures the best result from each wash cycle with great savings thanks to the precise dosage managed by the electronic card; whereas, the moulded washing and rinsing arms ensure great reliability and durability. The Thermo-stop function checks that washing and rinsing begin only when the desired temperature is reached. The bodywork is made entirely of AISI 304 steel and has been designed with all components in the front to allow easy technical assistance. Sturdy and reliable dishwashers to best deal with every moment of your day.

CERTIFIED



ON REQUEST





DISHWASHERS FEATURES

Dimensions - (mm) L - P - H	775x810x1930/2215h
n° baskets/hour - (+55°C)	Max 30
Ø height plate max	630mm
Height pot max	830mm
LT bread basket	100
Trays	GN1/1 - 60x40 GN2/1 - 60x80
Tank heating element - Tank capacity	4,5kW - 37l
Boiler heating element - Boiler capacity	5,4kW - 12l
Washing pump	2,0kW / 2,7Hp
Total power input / Current	7,4kW / 16A
Standard input voltage	400V3N - 50Hz
Recommended inlet water temperature	+55°C
Water hardness	7°f - 10°f
Water consumption per cycle (inlet suggested pressure 2 BAR)	2,4 l
Adjustable detergent and rinse-aid dispenser	STANDARD
Acquatech system rinse	STANDARD

STANDARD EQUIPMENT

8 division cutlery insert	1
Integral tank filter	STANDARD
Inox basket dim.600x670x100mm	1
Basket for trays with 5 compartments	1

OPTIONAL

Optional 230V/3+T	●
Drain pump kit 32W with Ecoclean	●
Boiler heating element 9kW	●
Reverse osmosis system	●
"SOFT Door" Opening/Closing System	standard
"Energy Pro Green" System	●

● Optional Installabile, ◻ Optional not installabile