

## ECOLOGY LINE E56E

<b>TYPE</b>	Undercounter warewasher
<b>LINE</b>	ECOLOGY LINE
<b>BASKET</b>	500x500
<b>SIZE</b>	585x600x815h



CERTIFIED



ON REQUEST



The dishwashers of the **ECOLOGY** line ensure maximum performance thanks to the standard Acquatech System which, through an atmospheric boiler and rinse pump, maintains constant temperature and pressure and optimum water consumption. **ECOLOGY** ensures a sanitising rinse cycle and proves to be the perfect choice for canteens, nursing homes, pastry shops, bakers and butchers where compliance with HACCP rules is essential. For those who seek glass perfection, it is possible to connect a Reverse Osmosis System which purifies water and reduces detergent and rinse-aid consumption, ensuring excellent results and perfect glasses without the need for hand drying.

The simple electronic board control system makes it possible to set and control the rinsing and draining times and temperatures and the relevant **Thermostops**, crucial for ensuring excellent final results. With the control panel you can choose one of its 4 washing cycles and one automatic drain cycle (with installed drain pump), easily view on the display the tank and boiler temperature, the messages of the Self-diagnosis system and the Scheduled Maintenance warning. The smart Start button changes colour to always keep you up-to-date on the dishwasher status with the greatest ease.

With the **E56E** dishwasher you can wash glasses of different shapes and sizes as well as 18 dishes per cycle thanks to the baskets provided, with a maximum productivity of 40 baskets/hour (720 dishes/hour). The optional drain pump allows you to handle draining automatically and perform a partial replacement of clean water at each wash. The addition of the **Reverse Osmosis System**, suitable detergents and tilted basket is the right answer for all establishments where perfect glasses and automatic drying are indispensable elements.

The electronic control allows you to manage various parameters to give you an absolute customisation level and the continuous self-diagnosis allows you to minimise machine downtime, suggesting some operations to be verified. The self-cleaning cycle at the end of the day cleans the wash tank and empties the boiler from the hot water, preventing limestone forming inside. The standard double peristaltic electric rinse-aid and detergent dispenser ensures the best result from each wash cycle with great savings thanks to the precise dosage managed by the electronic card; whereas, the moulded washing and rinsing arms ensure great reliability and durability. The Thermo-stop function checks that washing and rinsing begin only when the desired temperature is reached. The bodywork is made entirely of AISI 304 steel and has been designed with all components in the front to allow easy technical assistance.

#### **EN IEC 63136 COMPLIANT MODEL**

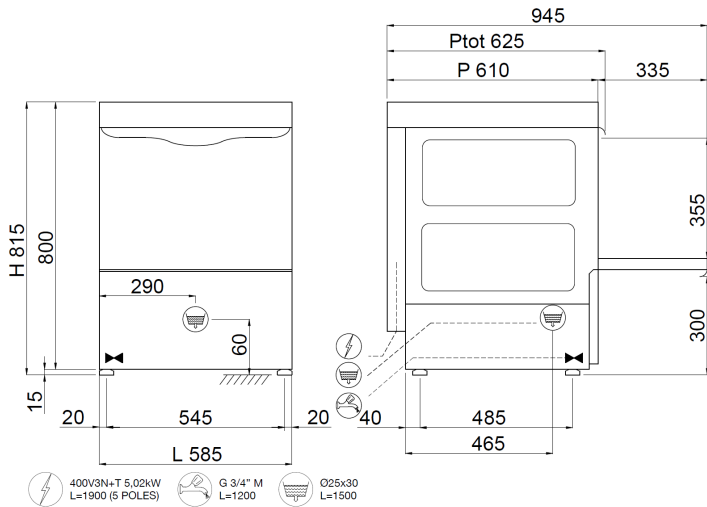
View the [performance table](#)

CERTIFIED



ON REQUEST





**DISHWASHERS FEATURES**

Dimensions - (mm) L - P - H	585x600x815h
n° baskets/hour - (+55°C)	Max 40
Height glass max	365mm
Ø height plate max	395mm
Trays	GN 1/1 (Special basket required)
Tank heating element - Tank capacity	2,6kW - 22lt
Boiler heating element - Boiler capacity	5,4kW - 7,3lt
Washing pump	0,37kW / 0,5Hp
Total power input / Current	5,77kW / 16A
Standard input voltage	430V3N - 50Hz
Recommended inlet water temperature	+55°C
Water hardness	7°f - 10°f
Water consumption per cycle (inlet suggested pressure 2 BAR)	2,2 l
Adjustable detergent and rinse-aid dispenser	STANDARD
Acquatech system rinse	STANDARD

**STANDARD EQUIPMENT**

Cutlery insert	2
Basket for glasses dim.500x500x100mm	1
Basket for 18 dishes dim.500x500x100mm	1

**OPTIONAL**

Optional 230V/3+T	●
Drain pump kit 32W with Ecoclean	●
Boiler heating element 9kW	●
Double wall for thermal and acoustic insulation +18mm	●
Stainless steel tank filter	●
Reverse osmosis system	●
Basket for trays with 4 compartments dim.500x500x200mm	●
Inclined basket for wine glasses dim.500x500x170mm	●
Kit 4 Stainless steel feet 50-70mm	●
"SOFT Door" Opening/Closing System	●
Start Cycle "SOFT Start"	●

CERTIFIED "DOUBLE Load" double basket support  
 ON REQUEST  
 ENEC CE SWRAS APPROVED PRODUCT ETI  
 Optional Installabile, — Optional not installabile