

ECOLOGY LINE E150E

| | |
|---------------|--------------------|
| TYPE | Warewasher |
| LINE | ECOLOGY LINE |
| BASKET | 500x600 |
| SIZE | 720x770x1470/1930h |



CERTIFIED



ON REQUEST



The dishwashers of the **ECOLOGY** line ensure maximum performance thanks to the standard **Acquatech System** which, through an atmospheric boiler and rinse pump, maintains constant temperature and pressure and optimum water consumption. **ECOLOGY** ensures a sanitising rinse cycle and proves to be the perfect choice for canteens, nursing homes, pastry shops, bakers and butchers where compliance with **HACCP** rules is essential. For those who seek glass perfection, it is possible to connect a Reverse Osmosis System which purifies water and reduces detergent and rinse-aid consumption, ensuring excellent results and perfect glasses without the need for hand drying.

The **E150E** pass-through dishwasher with its **720mm** width is the right solution for businesses faced with washing a variety of dishes, proving capable of washing glasses, plates, medium-sized items and GN 1/1 trays, guaranteeing a maximum throughput of 60 baskets/hour (1080 dishes/hour). The pass-through models are equipped with an easily removable basket support for easy cleaning and a rounded moulded tank with **integral filters** to ensure perfect drainage and absolute hygiene. The '**PUSH TO START**' cycle start system ensures less waste by preventing the start of empty flushes. The **Reverse Osmosis System**, suitable detergents and inclined basket make the **E150E** excellent for gently treating your glasses.

The **electronic control** allows you to manage various parameters to give you an absolute customisation level and the continuous self-diagnosis allows you to minimise machine downtime, suggesting some operations to be verified. The self-cleaning cycle at the end of the day cleans the wash tank and empties the boiler from the hot water, preventing limestone forming inside. The **standard double peristaltic electric rinse-aid and detergent dispenser** ensures the best result from each wash cycle with great savings thanks to the precise dosage managed by the electronic card; whereas, the moulded washing and rinsing arms ensure great reliability and durability. The **Thermo-stop** function checks that washing and rinsing begin only when the desired temperature is reached. The bodywork is made entirely of **AISI 304** steel and has been designed with all components in the front to allow easy technical assistance. Sturdy and reliable dishwashers to best deal with every moment of your day.

EN IEC 63136 COMPLIANT MODEL

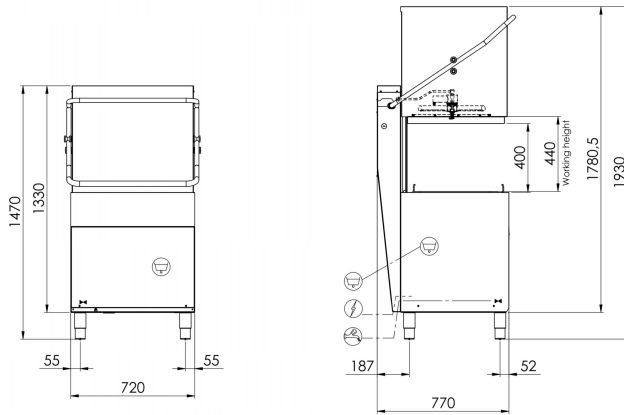
View the [performance table](#)

CERTIFIED



ON REQUEST





DISHWASHERS FEATURES

| | |
|--|--------------------|
| Dimensions - (mm) L - P - H | 720x770x1470/1930h |
| Ø height plate max | 400mm |
| Height pot max | 395mm |
| LT bread basket | 60 (H=400mm) |
| Trays | GN1/1 - 60x40 |
| Tank heating element - Tank capacity | 4,5kW - 37l |
| Boiler heating element - Boiler capacity | 5,4kW - 7,3l |
| Washing pump | 1,34kW / 1,8Hp |
| Total power input / Current | 6,74kW / 16A |
| Standard input voltage | 400V3N - 50Hz |
| Recommended inlet water temperature | +55°C |
| Water hardness | 7°f - 10°f |
| Water consumption per cycle (inlet suggested pressure 2 BAR) | 2,4 l |
| Adjustable detergent and rinse-aid dispenser | STANDARD |
| Acquatech system rinse | STANDARD |

STANDARD EQUIPMENT

| | |
|---|----------|
| Basket for trays 10/12 compartments 500x600x100mm | 1 |
| Basket for glasses dim.500x600x100mm | 1 |
| Basket for 22 dishes dim.500x600x100mm | 1 |
| 8 division cutlery insert | 1 |
| Integral tank filter | STANDARD |

OPTIONAL

| | |
|--|---|
| Optional 230V/3+T | ● |
| Drain pump kit 32W with Ecoclean | ● |
| Boiler heating element 9kW | ● |
| Reverse osmosis system | ● |
| Basket for trays with 4 compartments dim.500x500x200mm | ● |
| Inclined basket for wine glasses dim.500x500x170mm | ● |
| Remote control with LCD display | ● |
| "Energy Pro Green" System | ● |

● Optional Installable, ◻ Optional not installable